

www.luxorfurn.com
www.hwilson.com

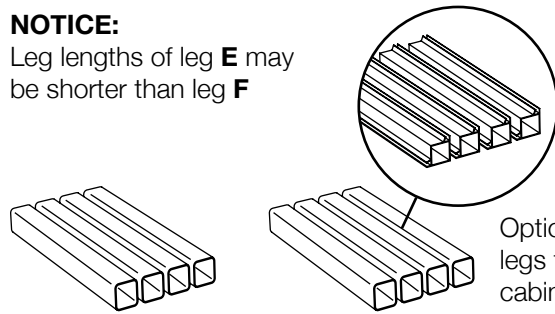
Parts List

Tools Required

- Rubber Mallet

NOTICE:

Leg lengths of leg **E** may be shorter than leg **F**

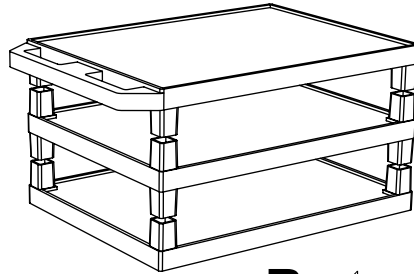


E x4

F x4

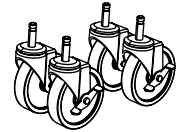
Optional fluted legs for units with cabinet pack

A x1



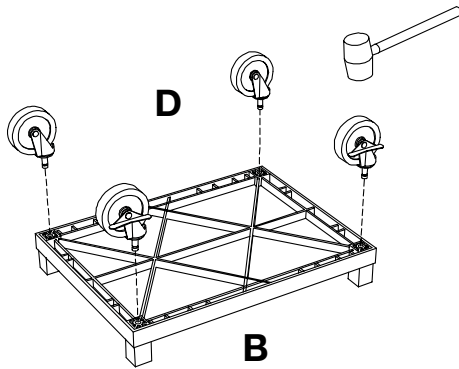
B x1

C x1



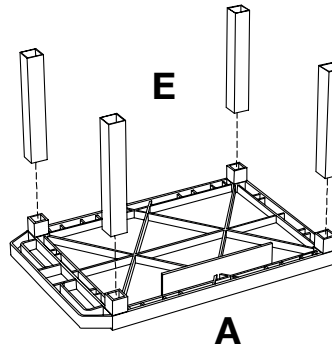
D x4

1

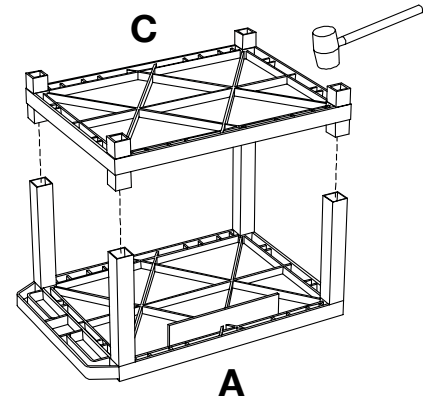


2

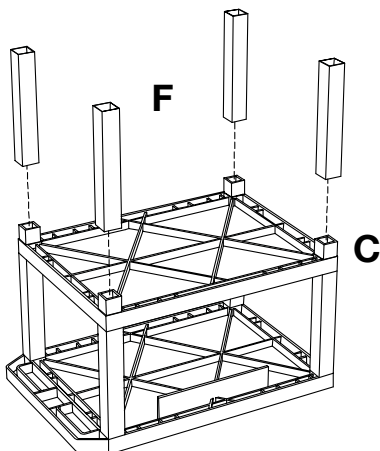
Install optional cabinet pack / pullout shelf / locking drawer assembly after step 1



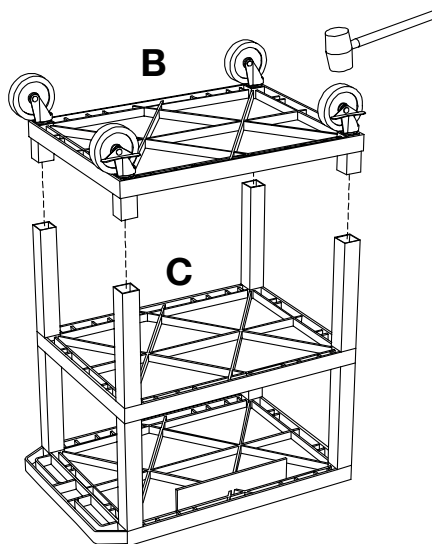
3



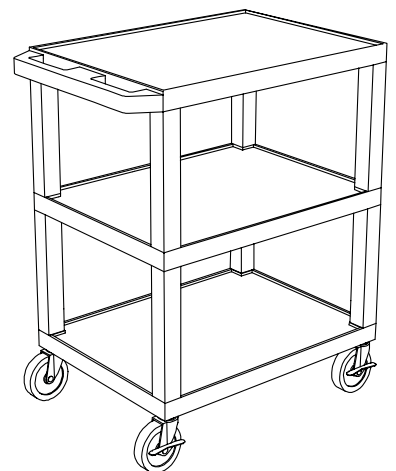
4



5



6



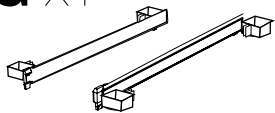
www.luxorfurn.com
www.hwilson.com

Parts List

Tools Required

- Phillips Screwdriver

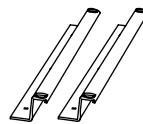
G x1



H x1



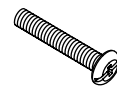
K x1



L x2

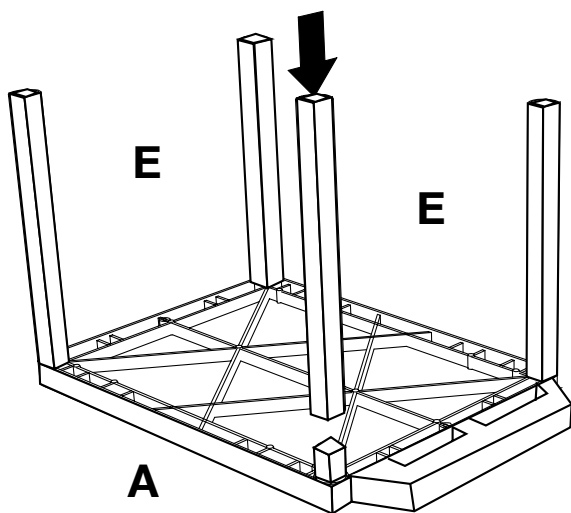


M x6

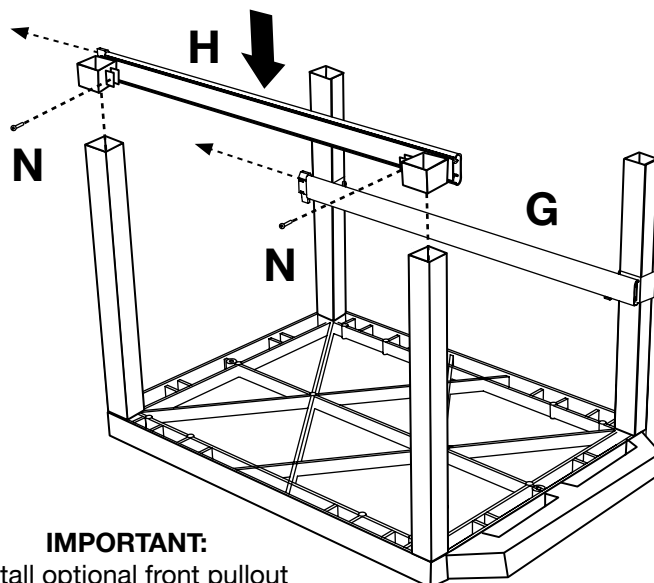


N x4

- 1** Lay the top shelf of your Tuffy cart upside down and install the four legs intended for this shelf.

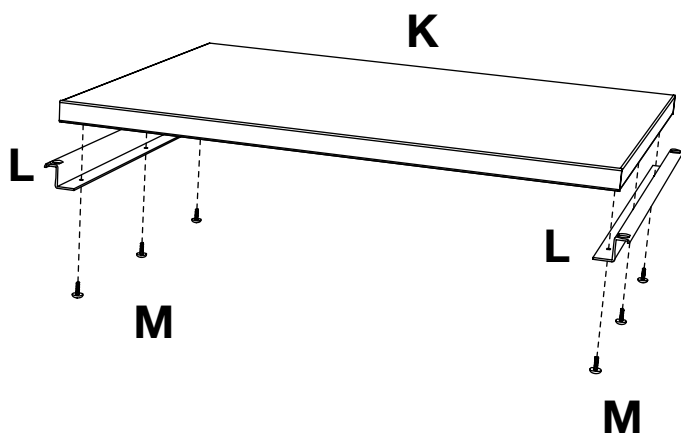


- 2** Slide and align runner **H** & **G** onto the legs and tighten screw **N** with a screwdriver.

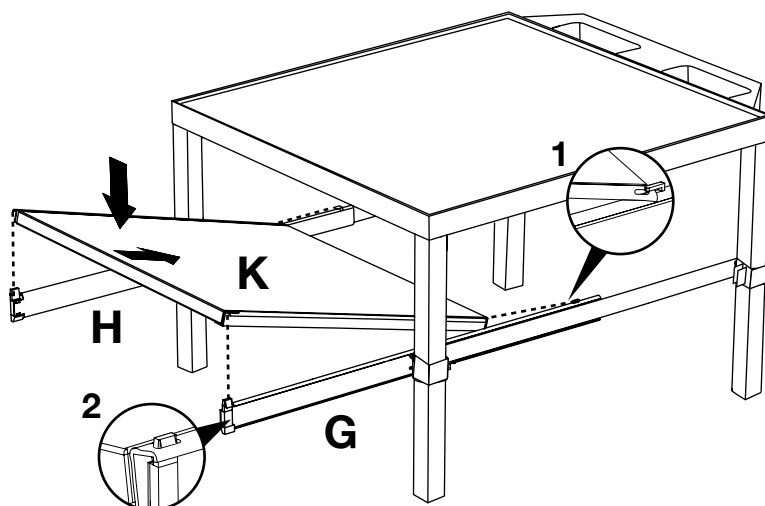


IMPORTANT:
Install optional front pullout shelf **BEFORE** step 2

- 3** Take pullout shelf **K** and bracket **L** and screw together into the unfinished surface of shelf **K** with screw **M**.

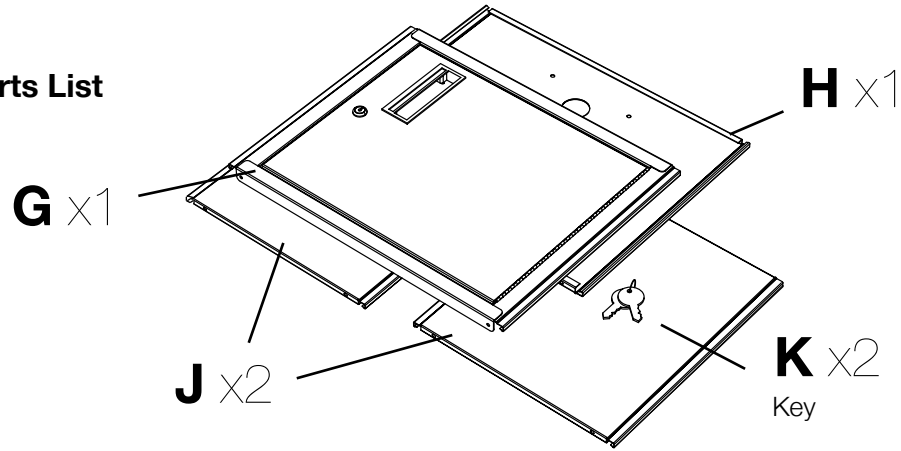


- 4** Mount pullout shelf **K** to runner **H** & **G** so that the edge of the shelf snaps into the runner hooks.



You have now completed your pullout shelf.

Parts List

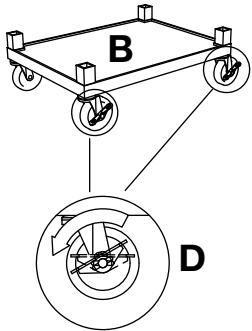


Tools Required
- Rubber Mallet

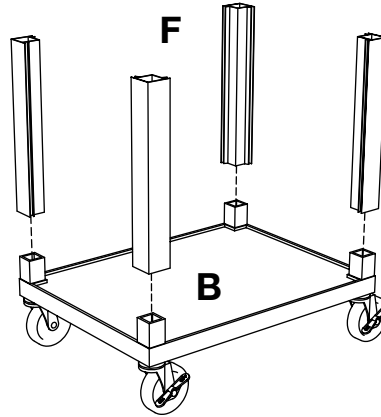
Tuffy Cart Cabinet Pack Instructions

Please consult your Tuffy cart base unit instructions before starting

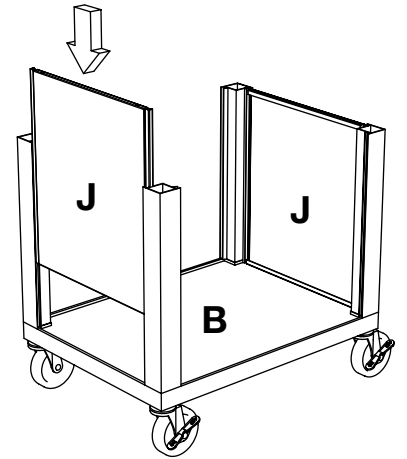
- 1** **IMPORTANT:** Flip shelf **B**, and lock the 2 locking casters **D** before assembling the unit.



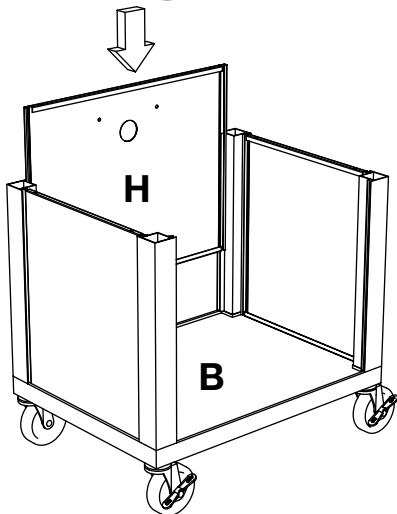
2



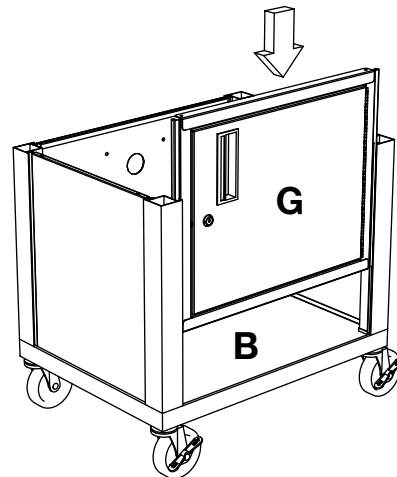
3



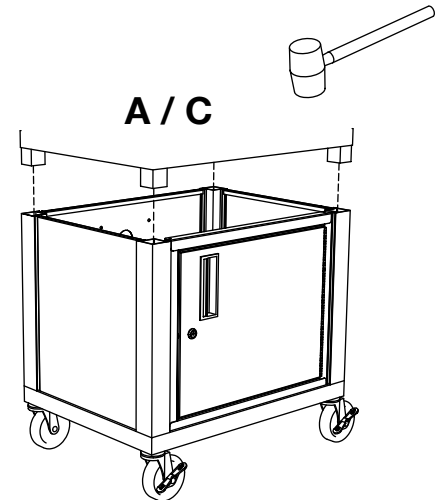
4



5



6

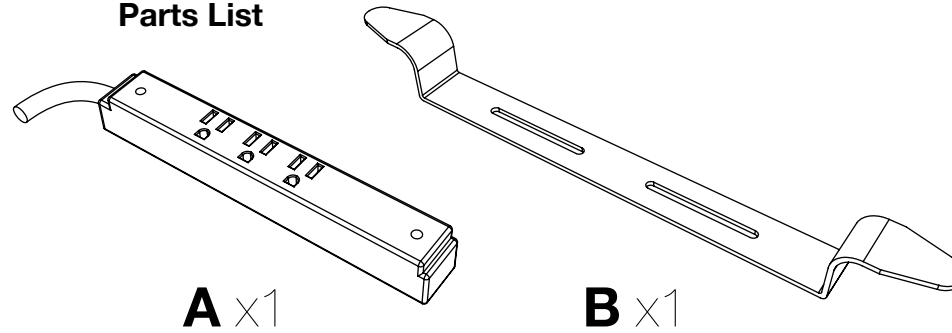


www.luxorfurn.com
www.hwilson.com

Electric Assembly Instructions

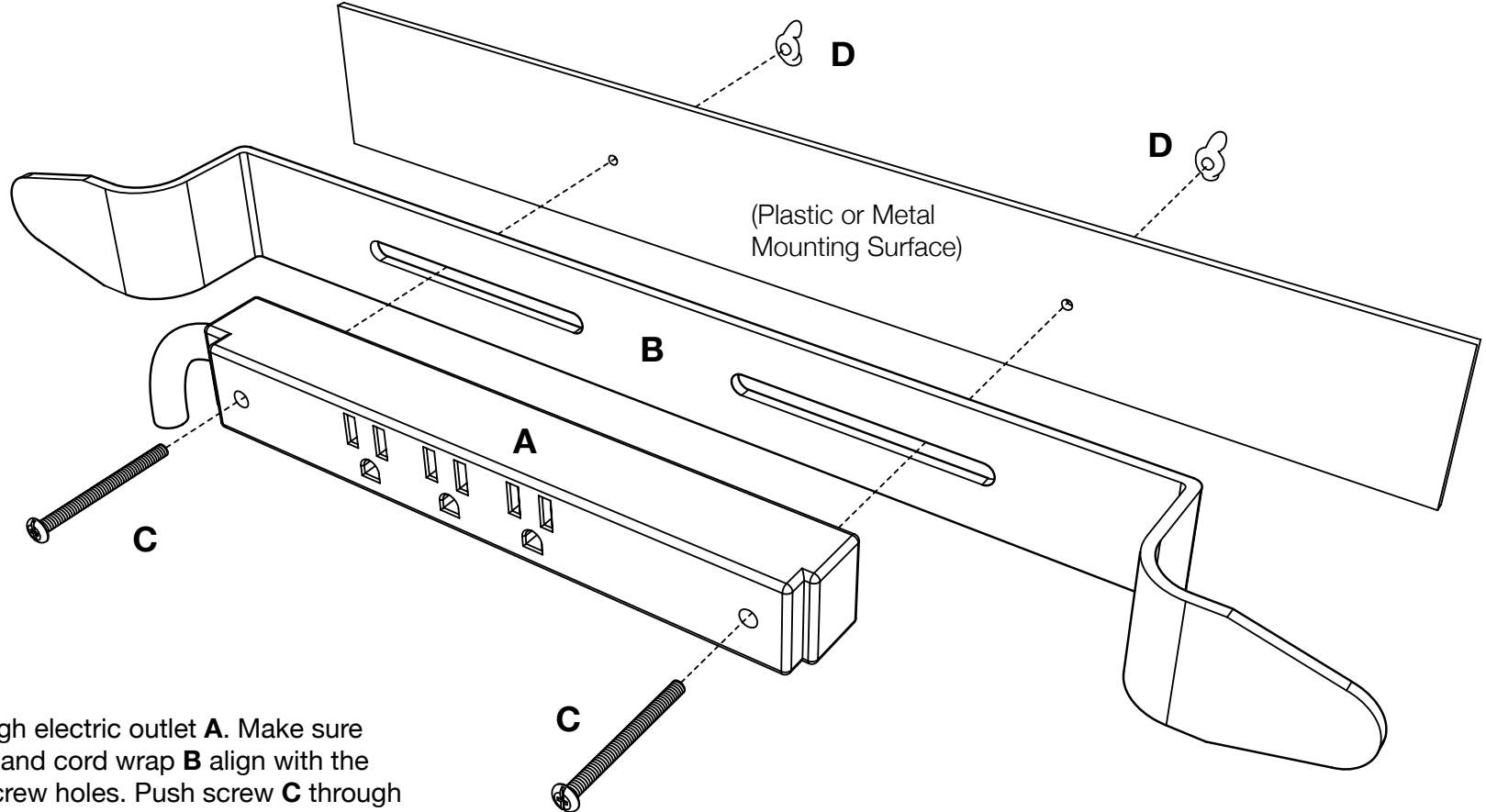
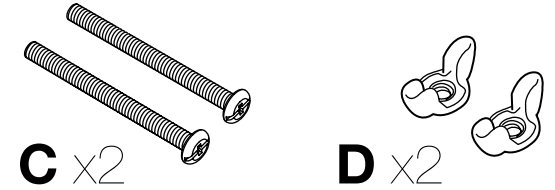
Number of outlets
may vary.

Parts List



Tools Required

- Screwdriver



1

Push screw **C** through electric outlet **A**. Make sure the electric outlet **A** and cord wrap **B** align with the mounting surface screw holes. Push screw **C** through cord wrap **B** and the mounting surface screw holes. Use wing nut **D** and screwdriver to fasten.