

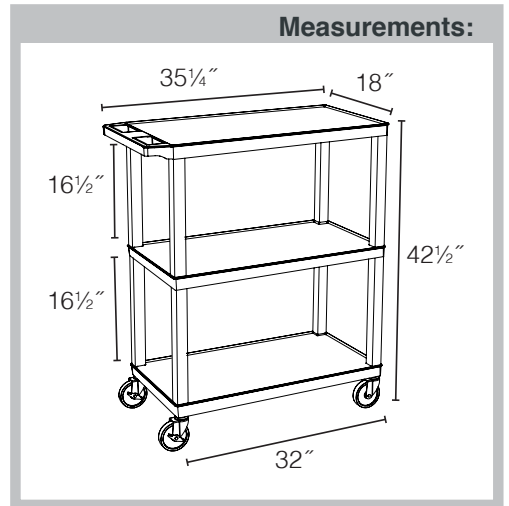
Presentation Stations

32x18

EA Series



- 32" W x 18" D flat shelves
- 33% More capacity than a standard 24" W x 18" D cart
- Has an ergonomic push handle molded into the top shelf
- Four 4" full swivel casters, two with locking brake
- Shelves & legs are constructed with an injection molded thermoplastic resin
- 300 lb. Weight capacity (evenly distributed)
- Available with drawer, pullout shelf and / or monitor mount
- Includes 3-outlet electric w/ 15 ft. cord and 3 wire clips
- Also available without electric



NEW

